



Red Sokz

Volume VII, Issue 4

<http://www.villiers-school.com>

13th June 2008



Editorial

It's that time of the year again...everyone is happy at the prospect of sun, sea and sand, not to mention no classes for almost 12 weeks.

The term from Easter to now has been very busy for everyone at Villiers, with competitions, exam prep, etc. This issue of Red Sokz attempts to tie up loose ends from the previous term and keep you up to date with what has been happening over the past few weeks..

We also want to say farewell to our sixth form who are currently in the latter stages of the state examinations and hopefully heading off to pastures new...cue some tears from certain members of the Villiers clan and some shouts of joy from others.

*Janet Woods (Editor)
Sam Ryan (Asst Editor)*

THE END OF AN ERA

With great sadness, but with sincere good wishes, we acknowledge the retirement of Roberta Hardy and Marie-Louise Kearney from Villiers. With over 40 years of experience between them their shoes will be almost impossible to fill.

Roberta came to Villiers in 1986 and flippantly said that she 'would help out when necessary'. That comment was to be taken to its extreme and she became the pivot on which Villiers, as a Boarding school, turned. Anybody coming to Villiers, as a student, parent, staff member or otherwise acknowledge with gratitude her efficient, empathetic manner.

We wish her all the best with her retirement and hope that she gets to travel and enjoy the finer things in life that are so becoming of her.

Marie-Louise arrived in Villiers as a part-time teacher over 20 years ago and ended up firmly ensconced in the German/ French department as well as tutoring the very successful Chess teams, of which more anon.

Her attention to detail and caring way with students, particularly in relation to detention, will be difficult to emulate. We shall all miss that lovely accent and know that an enjoyable retirement in the company of her loving family is guaranteed.

To both, God Bless and Thanks.

Villiers Family

Features

FURTHER SUCCESS FOR TEAM NEBULA

Following on from their success at the Regional Finals of the Honda F1 Technology Challenge, Robert O'Donoghue, William Leech, Marion Carey, Ciaran Castles and Matthew Perriera, aka Team Nebula, brought home some crystal from the National Finals in Dublin.

Guided by Mr James Browne, Team Nebula received the best newcomer award. Plans are already in place for next years competition. This fast and furious car, along with its' award is on display in school. *Mr. James Browne*

HEALTH AWARENESS DAY

Villiers Student Council, organised a most successful Health Awareness day during April. A variety of organisations and individuals involved in the health industry gave of their time and ensured that students were given informed, relevant data on health issues which related to their respective age-groups.

Workshops were also given in Laughing Yoga and healthy, nutritious cooking demonstrations. The organising committee wish to thank all who helped to make the day a success.

Student Council.

BLAS SUMMER SCHOOL

The 12th Blas International Summer School of Irish Traditional Music and Dance, an internationally accredited summer school hosted by the Irish World Academy of Music and Dance, runs from June 23rd to July 4th.

Talented instrumentalist, Noelle Kindregan has been awarded one of the coveted scholarships to attend this course, where she will be immersed in the Blas ethos which combines practical performance skills in music and dance with the academic study of the tradition. This ethos permeates the Blas programme structure and design.

Ms J. Woods

TEXACO ART COMPETITION

Congratulations to Daniel O'Higgins, Form V, who was awarded 3rd place in Category A of the Texaco Art Competition, with his painting entitled 'Hiding From The Storm'.

Art Dept



Features Continued

PRIZE DAY

Annual Prize Day on Friday May 16th was opened by Rev. Peter McDowell, Deputy Chairman of the Board of Governors. Guests included his fellow board members, Mr. P.G. O'Callaghan, CEO of Gaisce, and Mayor of Limerick, Cllr. Ger Fahy.

The Villiers Roll of Honour was awarded to Board member Mr. Trevor Morrow. Mr. Morrow has been a Board member since the early 80's and has contributed greatly to Villiers School, providing support, advice and vision as Villiers has grown and developed. A past pupil of Villiers, Mr Morrow is well-known in Limerick business and social circles, being a member of Chamber of Commerce and Rotary.

Thank you to all of our guests and congratulations to all prize-winners.

Ms. J. Woods

π DAY

Do you know what the 14th March commemorates? It's 3.14. It is π day !!!

To celebrate π day, Mr Sadlier's and Mr Fennel's class were forced to eat apple pie and cream. They were not allowed to do any homework and were academically devastated.

It's a maths party thing of circular origin, not for the mathematically challenged.

Ms. A. Mahon

ENTREPRENEURS IN THE MAKING

Following their win at the Limerick City Enterprise Board Schools Final Sci-Chem went on to participate in the National Finals in Dublin in late May. At this event they were awarded 3rd place for best business report.

However immediately following the Limerick Finals the entrepreneurs were approached by various parties who were interested in the economic possibilities of their project.

In fact, one company, Pharmachem Ireland, approached the group offering to buy the product/ idea for a 4 figure sum. The boys, determined not to be rushed, considered this project and decided not to commit to it immediately.

They are currently in talks with Folens Publishers, who are extremely interested in developing the module as primary school course material.

Sci-Chem is an introductory, modular science programme suitable for use in primary schools. Congratulations to Alex Wills, Mark Gibson, Bruce Devine, Tom Jackson and Vincent Lillis and their teachers Maeve O'Brien and Tom Jones.

Mr. T. Jones

VILLIERS GOT TALENT

April 22nd saw a myriad of talent take to the stage and strut their stuff. Organised, primarily, by the innovative and resourceful Vivienne Crowley the night was both entertaining and inspiring.

Ms Kerri Crowley began her career as a music manager, putting together and managing a 'highly talented' band, as gaeilge.

The judging panel had a difficult task but everyone agreed that the correct decision was made on the night with Chloe O'Kelly being crowned the winning performer.

Ms J. Woods

CULLINARY ACCOLADES

Two Villiers students, 6th former Alex Muir and 2nd former Caoimhe O'Sullivan were selected to take part in the Munster Tesco Young Chef Of The Year Competition. Both prepared scrumptious dishes, with Alex being victorious in the senior category.

This young chef then went on to represent Munster in the National Finals in Dublin.

Well done to both.

Ms J. Byrne

CAREERS NIGHT

Mrs. Sirr, Career Guidance Counsellor, organised a very successful Careers night which was attended by many senior students and their parents.

The night saw presentations from 3rd level institutions and professionals from a variety of spheres and occupations. It gave parents and students an opportunity to explore careers together.

Sam Ryan

MUNOL

April 23rd saw 14 students under the guidance of Ms Ann Gowing and Ms Jan Woods embark on the annual trip to the MUN conference. This year's venue was the Medieval town of Lubeck in Northern Germany.

10 of our delegates were representing France and the remaining 4 represented Somalia. For some students it was a tentative start but as debating began each and every student rose to the challenge and argued the points of their country with conviction and enthusiasm. Each student either had their own resolution passed or collaborated with other like-minded countries.

Mun conferences broaden the mind and encourage confidence of thought and deed in a mature environment, as well as enabling the development of new friendships and contacts.

Niamh Murphy



Sport

ALL-IRELAND SUCCESS FOR AMY

Amy O'Donoghue has copper-fastened her place as a serious athlete, with her recent successes on the National arena.

Not content with the North Munster & Munster Championships, Amy stormed across the finish line to take gold in the 800m and 1500m at the All-Ireland Schools Championships.

It is no wonder that she was recently awarded a Bank Of Ireland Student award. Much more will be seen of this young athlete. Congratulations Amy.

Ms J. Woods

SENIOR GIRLS HOCKEY

The girls worked hard all season and were justifiably rewarded with a place in both the Cup final and League final. Despite acquitting themselves admirably they were narrowly beaten on both occasions. A cruel blow after a wonderful season.

The girls, lead by Edel Martin, gave it their all and heads now need to be lifted to face the new season with renewed vigour. Well done on a wonderful season.

Mr. M. Sutton

DUBIOUS WIN FOR STUDENTS

Wednesday, 21st May saw the teachers take on the Senior Girls team in a riveting game of hockey. A game which saw various television companies vie for the rights!

Superwoman Crowley and Pumpkin Girl Ryan guaranteed that the teachers were kept on their toes, taking no prisoners in their quest for goal and instructing their team to impede the progress of their opponents in any way possible.

Actually, speaking of toes, one teacher who shall remain nameless, managed to avoid using the stick to hit the ball, preferring to use that aforementioned extremity.

There has been much talk about bias from the referees, of which there were two, particularly in relation to Dumbdore McCrohan's superb goal. Ironically, it was the senior girls coach who disallowed that goal...independent referees will have to be employed for next year.

Sterling performances were given by Amir, D. O'Hanlon, J. Brown (superb), Vickki and E. Sexton.

Needless to say the students needed a bit of practice and were lucky to walk away victors!

J. Woods

CHESS CHAMPIONS

Lucinda Holland became Irish Secondary School Girls Champion at the recent Chess Championships in Cork.

Lucinda was closely followed by Megan Reilly who was outmanoeuvred into runner-up position.

Furthermore the team which also included Thora Eichblatt and Anna Lynch was placed third in the team rankings. This follows their success at winning the Limerick leagues. Well done to one and all.

Ms J. Woods

BASKETBALL

First year girls basketball team did as was predicted and won the 1st year plate. These first years are a force to be reckoned with, going from strength to strength, under the guidance of Ms Theresa Ryan.

Well done and we look forward to continued success as you make your way through Villiers.

Sam Ryan

ATHLETICS

Villiers was once again represented at the North Munster Schools Meeting and came home with 3 bronze and 4 gold medals:

Bronze: Intermediate Boys Relay

Senior Girls Relay

Senior 200m (Margaret Gleeson)

GOLD: Senior 100m (Margaret Gleeson)

Junior 800m & 1550m (Amy O'Donoghue)

Minor Shot Putt (Nicole Daly)

Margaret, Amy & Nicole went on to compete in the Munster Schools, with Margaret & Nicole taking bronze and silver, respectively and Amy taking two golds.

Well done to all athletes who took part.

Sam Ryan

BOYS HOCKEY

Congratulations to the Senior Boys who were successful in taking home the Boys Senior B Cup. A well fought battle against Newtown saw a very strong Villiers team win 5-1.

Llewellyn Mooney, William James, Colin Crawford and Roger Clarke were very strong on the day, each of them cutting through Newtown's defence and finding the back of the net.

The junior and senior teams had less successful seasons but put in a valiant effort on each occasion. Heads up for next season.

Roger Clarke



FASHION ADVICE

WEARING THE UNIFORM

Many students seem to have problems with the correct wearing of their tie, skirt (girls) and trousers (boys). For those of you struggling with how to wear the uniform, we have come up with some simple tips and words of advice which might see you avoid trips to the office or even the detention room. All effort has been made to be as informative as possible and if you have any queries on attached advice or any other fashion issue please feel free to send them to Red Sokz and we will try to deal with them.

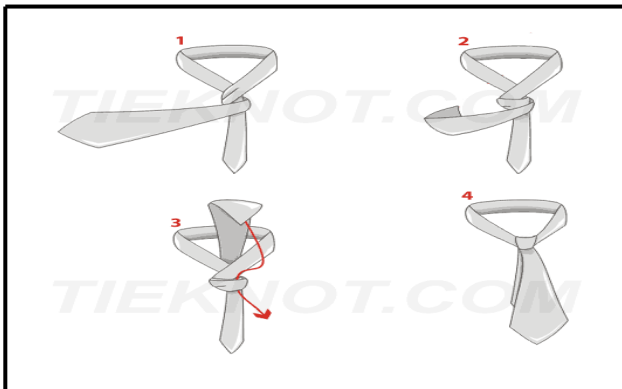
SKIRT -a tube or cone-shaped garment which hangs from the waist and covers all or part of the legs.

TROUSERS-an item of clothing worn on the lower part of the body, hanging from hips or waist, covering both legs separately.

Ok, I hear you ask “What is a waist?” Well read on.....

WAIST- The waist is the part of the abdomen between the ribcage and hips (normally narrowest part of the body).

With that lesson over, we can move on to the more difficult task of learning how to tie and wear a tie.



Remember the art of tying the tie is only half the task. Once the knot has been tied, the tie must be pulled right up to the top button of your collar. Lesson over!!!

Ms. J. Woods



TRANSITION YEAR

WHAT AN INDUSTRIOUS BUNCH

Transition Year at Villiers is quite a busy time. The calendar is full of a wide variety of activities aimed at fulfilling the Dept guidelines of developing independent self-directed learning skills as well as focussing heavily on personal development for use in the wider-world.

The TY team of Mr McCrohan, Ms McQuade, Ms O’Sullivan, Mr Atkinson and Mr Whisker ensure that students are challenged and motivated throughout the year.

The school management ensure that a variety of non-academic modules are provided for all TY students. These include Driving Theory, Media Studies, Legal Studies, Pottery, Office Skills, ECDL, Craft/Metalwork, Music Workshop, Martial Arts, Golf, Swimming and a variety of other sporting activities.

All of the above are in addition to the ever-popular Fashion Show, Musical, Presidents Awards, Charity Work and various team-building excursions.

The following are details of three modules which are also well subscribed.

GAISCE/PRESIDENTS AWARDS

Recognised worldwide these hard to come by awards require students to complete challenges/ tasks in relation to community, personal skills, physical activity and adventure. Many TY’s have completed their Bronze Awards and are ready to embark on the Silver Award.

YOUNG SOCIAL INNOVATORS

Requires students to view issues within society, on local and national level and to propose solutions to these issues. Our TY’s travelled to Dublin in May to the YSI Showcase and displayed their projects.

ECDL

This qualification is also recognised worldwide and the module is run by Mr Flannery. This qualification is a must on any 21st century CV.

Ms. J. Woods



ANNOUNCEMENTS

DATES FOR ACADEMIC YEAR 2008/2009

Tuesday 25th August - OPEN DAY (2pm)
Wednesday 26th August - School Resumes (9am sharp)

PARENTS EVENINGS 2008

Thursday 4th September - Form 5
Monday 13th October - From 1

EXAM RESULTS DATES

Leaving Certificate - Wednesday August 13th
Junior Certificate - Mid September (tbc)

NOTE OF APPRECIATION TO PTA

Mr. Flanagan, staff and students wish to acknowledge with thanks the contribution made by the PTA to the refitting of the ICT suite.

PREFECTS INITIATION/TEAM BUILDING

Monday & Tuesday 1st & 2nd September. All prefects will attend this event under the guidance of Mr. Sutton. Congrats to all newly elected prefects and to Head & Vice-head Boy & Girl.

This document was created with Win2PDF available at <http://www.win2pdf.com>.
The unregistered version of Win2PDF is for evaluation or non-commercial use only.
This page will not be added after purchasing Win2PDF.